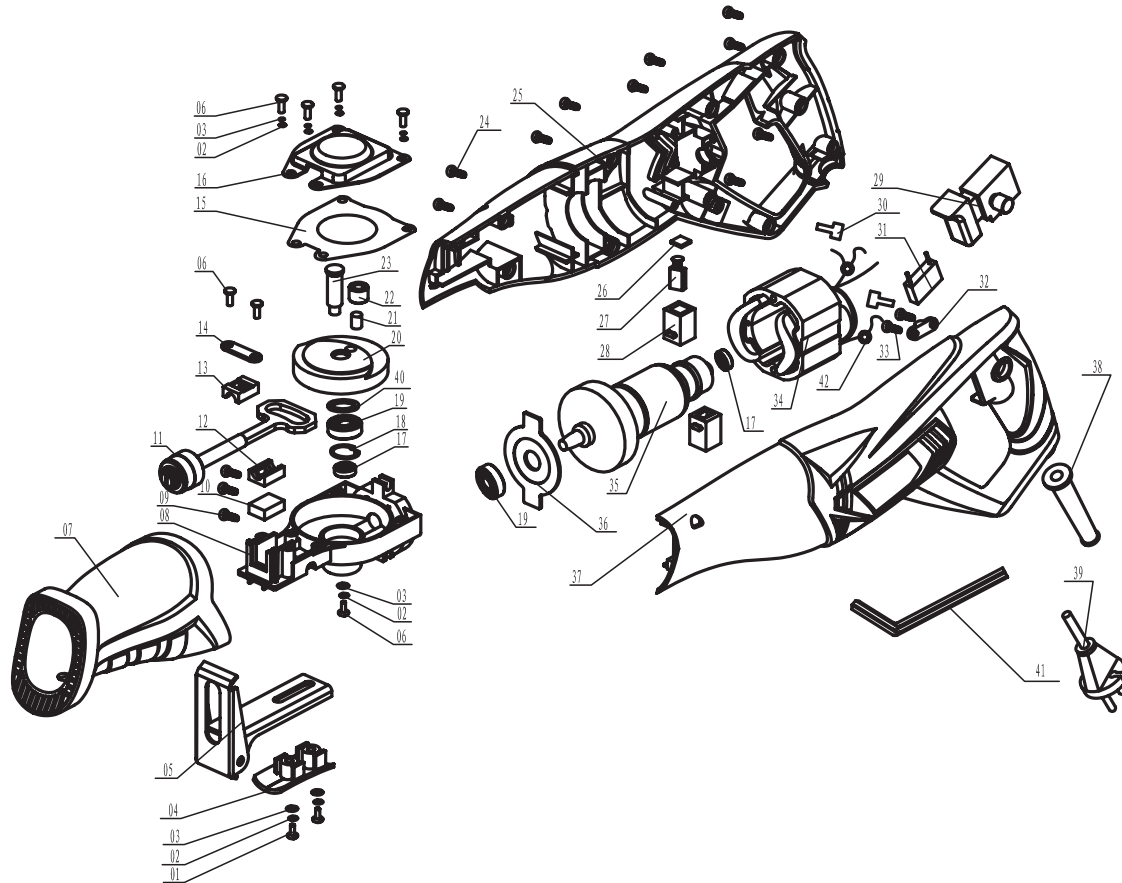


Exploded drawing of Reciprocating Saw RD-RS32



Spare parts list of Reciprocating Saw RD-RS32

Serial number	Name (English)
1	hex screw M5X16
2	Spring washer 5
3	washer 5x1.5
4	plate gland
5	plate
6	cross screw M5X14
7	Case holster
8	aluminum gear box
9	cross screw ST3.9X30
10	Wool felt
11	reciprocating shank
12	upper guide
13	down guide
14	guide plate
15	reciprocating rod gasket
16	reciprocating rod cover
17	ball bearing 608-2RS
18	retaining ring
19	ball bearing 6000-2RS
20	big gear
21	cylindrical pin
22	sliding wheel
23	spindle
24	cross screw ST3.9X16-F
25	right housing
26	brush holder cover
27	carbon brush
28	brush holder
29	switch
30	T-type copper insert
31	capacitor
32	cable fixer
33	cross screw ST3.9X14
34	field coil
35	armature
36	6000 bearing plate
37	left housing
38	cable jacket
39	cable
40	flat Washers
41	hex
42	inductance